

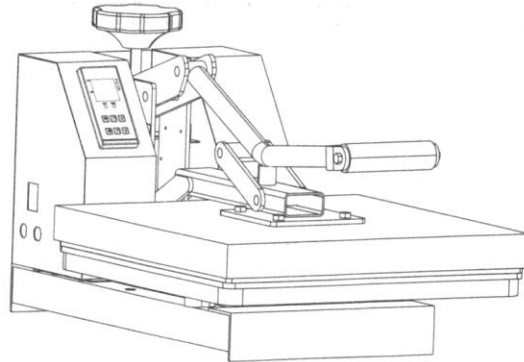
PowerPress

Heat Press Machine User Manual

Please read this User Instruction Manual in details before use. Use correctly and maintain properly.

CONTENT:

- 1 Warnings
- 2 Precautions
- 3 Prepare Sublimation Paper and Garment/Cloth
- 4 Product Information
- 5 Get Ready for Use
- 6 Operating Instructions
- 7 FAQ
- 8 Time and Temperature Suggestion
- 9 Warranty Statement



Thank you for choosing Power Press Machine. We promise to provide the after-sale service at any time if you need. Please check the machine first when you receive it to check if it is in perfect condition. If there is any scratches or damage to the LCD screen, please contact us without any hesitation at:

Service@pensonandco.com



Safety Notes:

Please pay attention to electricity safety while using.



Warning:

All contents with this sign are related to product safety and the user's personal safety, you must be strictly in accordance with the requirements of the operation, otherwise it may cause damage to the machine or endanger the user's personal safety.

1 Warnings



- The socket must be able to support 20A current, in addition, please be sure that it has a protective device. Always use a sufficient source of power to accommodate the voltage of 110V.
- Always turn off the heat press machine when it is not being used.
- Never leave the heat press machine unattended when in use.
- Open the panel when it is not being used.
- Close supervision is required when this product is used near children.

2 Precautions

- Please ensure that the heat press is OPEN during heat up! (Otherwise there will be "beep" sound, which indicates that the panels are in the wrong position).
- Don't touch the panel while it is in operation.
- Don't keep the heating panel closed for more than 5 minutes (when in operation).
- The panel needs 2-3 hours to cool down.



Never put your fingers on the silicone pad.

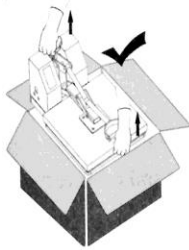


Keep out of the reach of children.

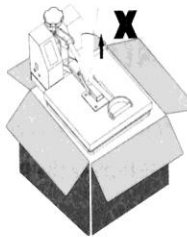


Keep away from flammables.

NOTICE

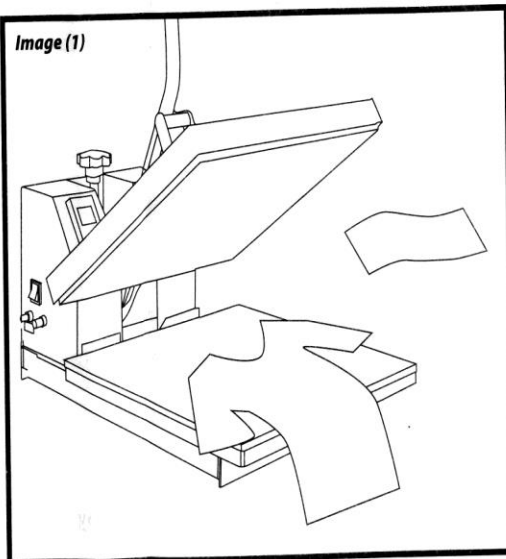


Please take it out with hands holding.



Do not take it out by lifting the handle.

3 Prepare Sublimation Paper and Garment/ Cloth



- Prepare your transfer image and, in case of the printing with sublimation ink, please wait until the ink is dry.
- Prepare the garment and place the image on the transfer target spot.
- Find the appropriate heating instructions for the material you are using and set your heat press time and temperature using manufacturer recommended settings. The settings will vary and ultimately depend on the make and type of garments and transfers used.

4 Product Information

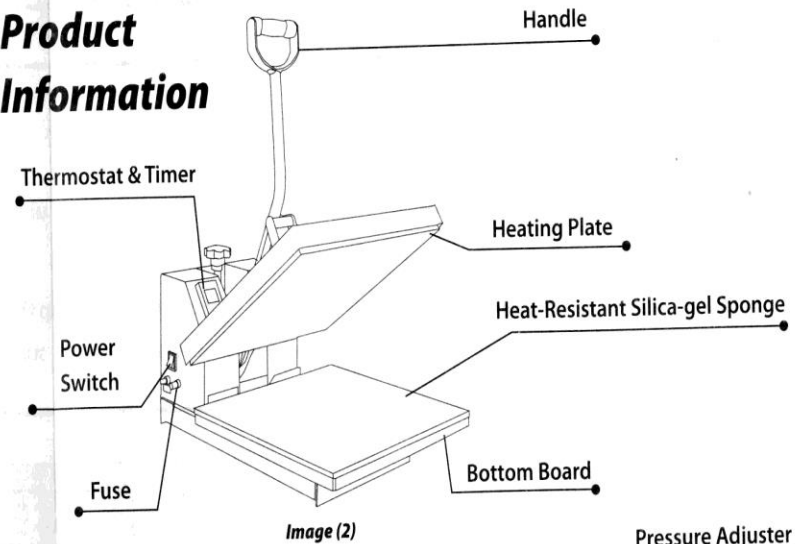
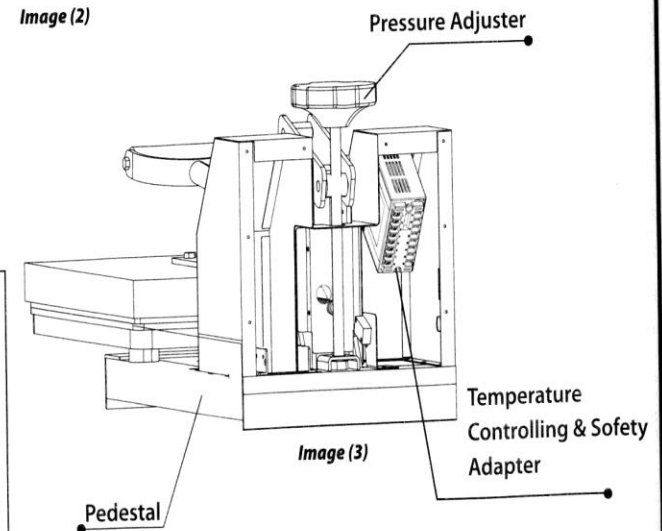


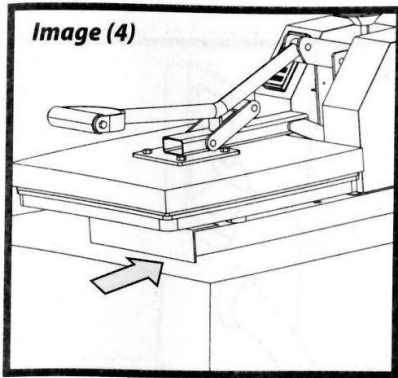
Image (2)



Technical Data/ Specs

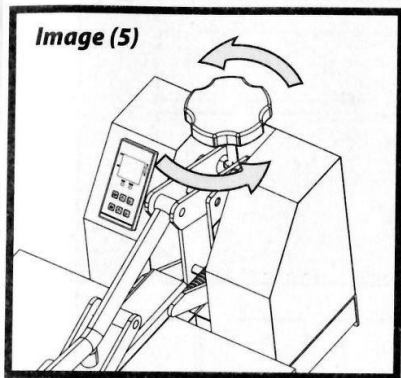
- Power Input: 110V/60HZ
- Power: 1400 W
- Transfer Element: 15" x 15" (38cmx38cm)
- Temperature Range: 32-455°F
- Timer Control: Adjustable (0-999 seconds)
- Temperature Error Band: +/- 5 °F
- Gross Weight: 49.5 Lbs

5 Get Ready for Use



- Check if the machine position is stable. Place the machine on a wide, steady and flat working surface and check whether it is positioned evenly.

(Refer to Image 4)



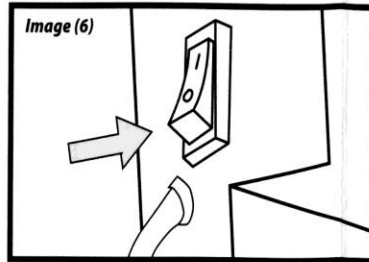
- Adjust Pressure (Refer to Image 5):
 - Note: Please leave the panel as open or it will be hard to adjust pressure.
 - How to Operate: Turning the pressure adjustment knob clockwise will increase the pressure on the panel.Please try a few times to set the desired pressure setting (which will allow you to lift the handle up easily).

- How to Check: Make sure that the upper panel is in tight contact with the lower panel. Then try to lift the handle (control arm) up with one hand, make sure that you can feel a certain level of resistance of the handle.
- Clean the machine: Clean the surface of the panel and the silicone pad.

6 Operating Instructions

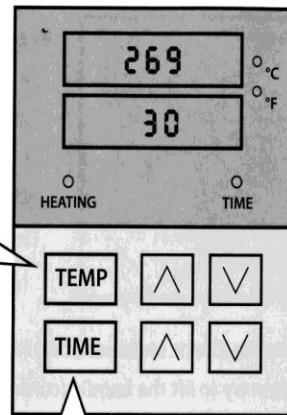
- ① Turn on the heat press by pressing the power switch into the ON position. Open the panel (otherwise the machine will utter “beep” sound as a reminder).

(Refer to Image 6)



- ② Set the target temperature: Press the “TEMP” button, then press the up or down arrow (∧ or ∨) to set the desired temperature; Then press the “TEMP” button again to lock it in.

(Refer to Image 7)



- ③ Set the target time: Press the “TIME” button, then press the up or down arrow (∧ or ∨) to set the required time and press the “TIME” button again to lock it in.

(Refer to Image 7)

- ④ Wait till the heat press heats to the target temperature.
- ⑤ Close the panel, pre-heat the silicone pad for about 30 seconds (this will enhance the sublimation effect).
- ⑥ Open the panel, place your garment (with image) on the bottom platen/ silicone pad so that it is flat and there are no wrinkles in the material. The garment should be set evenly across the surface.

Press the TEMP/TIME button to return to the initial interface.

- ⑦ Proceed by closing the handle downward into the locked position.

- ⑧ Open the handle when automatic timer buzzes.

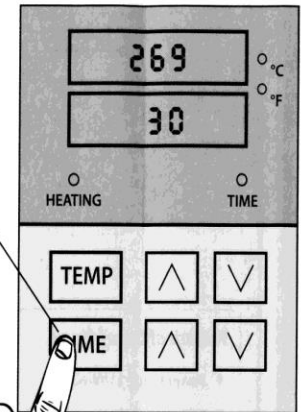


Image (7)

7 FAQ

Q: Why there is no reaction after plugging into the power?

A: Please replace the fuse with the substitute one and contact the customer service for the replacement instructions.

Q: Why the temperature keeps warming up?

A: Please open the back part of the machine to see if the adapter is faulty/ has any defects.

Q: Why there are sparks when connecting machine to the power outlet?

A: Please check the voltage and the power of your home appliance. Also, please check the adapter in the way we have mentioned in question two.

Q: What should I do if there are some scratches on the machine?

A: Please take clear photos of the damaged parts and contact the customer service with those photos.

Q: Why the display/screen shows the incorrect time and temperature?

A: Please contact the customer service for the free temperature controlling adapter and replacement instructions.

Q: Why I cannot lift the handle up?

A: Please turn the pressure adjustment knob anticlockwise. It's the only way though it may need your full strength.

- For other questions not mentioned above, please do not hesitate to contact us at: Service@penonandco.com

8 Time and Temperature Suggestion

Materials	Time (Seconds)	Temperature (Fahrenheit Degree)
Pure cotton	25-30s	360~430
Polyester	25s	360~430
Pearl Board	10-15s	300~360
Key Chain	40s	430~450
Mouse pad	25-30s	360~430
PVC Board	40s	360

Note: It is a general data above, exact data depends on your materials.

9 Warranty Statement

- Technical support is provided for any issue at any time.
- Faulty parts can be replaced within one year after the date of purchase.
- Exchange or return is available within three months after the purchase.
- The following conditions are not covered by the free warranty:
 - (1) The damage caused by improper use.
 - (2) The damage caused by unauthorized or inappropriate disassembling of the machine.
 - (3) The damage due to abnormal voltage and external causes such as fire.
 - (4) The damage due to failure to use the machine in accordance with the instructions and precautions.
- Use of this power press in a manner other than intended will void the warranty and might damage the machine.
- Please feel free to contact us at: Service@penonandco.com